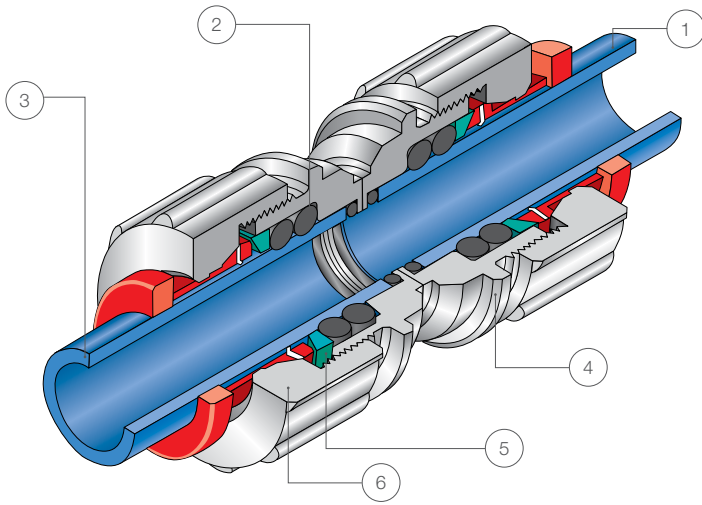


Rácores Power (gris-pulgadas / negro-métrico)

Acetal Power fittings (gray-inch / black-metric)



Estructura

1. Tubo
2. Junta tórica
3. Tubo
4. Cuerpo
5. Soporte junta
6. Tapa roscada

Structure

1. Tube
2. O-ring (NBR)
3. Tube & SUS Pipe
4. Body
5. Support ring
6. Capnut

Características

Este producto ha sido diseñado especialmente para su uso en acero inoxidable, u otros tubos revestidos.

Al apretar la tuerca de bloqueo, la interacción entre el anillo de soporte y la tapa de pinza permite sujetar el tubo con más firmeza, y sellar la junta en el conector.

El uso de dos juntas garantiza un sellado más efectivo en temperaturas elevadas.

Al apretar la tuerca de bloqueo con herramientas específicas se evita que el tubo se desconecte.

Features

This is the special products using for stainless steel, or other plated pipes.

When you fasten 'cap nut', interaction between Support Ring and Collet can grab more completely the pipe, and seal O-ring in the fitting.

Two O-rings give more sealing effectiveness in the high temperature.

It prevents a breakaway of pipe from fastening 'cap nut' with using hands tools.

Rácores Power (gris-pulgadas / negro-métrico)

Acetal Power fittings (gray-inch / black-metric)

Codo — Starfit x Power

Power elbow union (single)



Código Code	Ref. Part No.	Tubo Tube	Power Power	Ud/Caja Qty/Box
950052	APSEU 0505	5/16	5/16	250
950053	APSEU 0506	5/16	3/8	250
950054	APSEU 0604	3/8	1/4	300
950055	APSEU 0605	3/8	5/16	250
950056	APSEU 0606	3/8	3/8	250

Codo — Power x Power

Power elbow union (both)



Código Code	Ref. Part No.	Power Power	Power Power	Ud/Caja Qty/Box
950057	APBEU 0505	5/16	5/16	250
950058	APBEU 0605	5/16	5/16	250
950059	APBEU 0606	3/8	3/8	200

Unión doble — Starfit x Power

Power union connector (single)



Código Code	Ref. Part No.	Tubo Tube	Power Power	Ud/Caja Qty/Box
950764	APSUC 0505	5/16	5/16	300
950766	APSUC 0506	5/16	3/8	250
950765	APSUC 0604	3/8	1/4	250
950705	APSUC 0605	3/8	5/16	250
950766	APSUC 0606	3/8	3/8	250

Unión doble — Power x Power

Power union connector (both)



Código Code	Ref. Part No.	Power Power	Power Power	Ud/Caja Qty/Box
950767	APBUC 0505	5/16	5/16	250
950768	APBUC 0606	3/8	3/8	250

Adaptador macho — Rosca BSPT

Power male connector — BSPT(PT) Thread



Código Code	Ref. Part No.	Power Power	Rosca Thread	Ud/Caja Qty/Box
950409	APMCBT 0504	5/16	1/4	400

Adaptador macho — Rosca BSW

Power male connector — BSW Thread



Código Code	Ref. Part No.	Power Power	Rosca Thread	Ud/Caja Qty/Box
950410	APMCW 059/16	5/16	9/16-24	350
950411	APMCW 069/16	3/8	9/16-24	300

Llave Power

Power spanner (Nylon)



Código Code	Ref. Part No.	Tubo Tube
952800	NPSP	5/16, 3/8

Útil de montaje.

Convenient for separating power fittings.

Conector curvo — Power x Starfit

Power flow bend union (single)



Código Code	Ref. Part No.	Power Power	Tubo Tube ID	Ud/Caja Qty/Box
951704	APSFBU 0505	5/16	5/16	--

Adaptador macho — Rosca MFL

Power male connector — MFL Thread



Código Code	Ref. Part No.	Power Power	Rosca Thread	Ud/Caja Qty/Box
950412	APMCF 0504	5/16	1/4	400
950413	APMCF 0506	5/16	3/8	250

Rosca UNF. 7/16-20 corresponde a 1/4 MFL. 5/8-18 corresponde a 3/8 MFL. UNF Thread. 7/16-20 corresponds to a 1/4 MFL. 5/8-18 corresponds to a 3/8 MFL.

Conector a manguera

Power barb connector



Código Code	Ref. Part No.	Power Power	Int. manguera Tube ID	Ud/Caja Qty/Box
951134	APBBC 0404	1/4	1/4	400
951135	APBBC 0504	5/16	1/4	400
951136	APBBC 0604	3/8	1/4	250

Adaptador macho — Rosca BSPT
Power male connector — BSPT(PT) Thread



Código Code	Ref. Part No.	Power Power	Rosca Thread	Ud/Caja Qty/Box
950414	APMCBT 0804M	8	1/4	400

Codo — Starfit x Power
Power elbow union (single)



Código Code	Ref. Part No.	Tubo Tube	Power Power	Ud/Caja Qty/Box
950060	APSEU 0808M	8	8	250
950061	APSEU 0810M	8	10	250
950062	APSEU 1006M	10	6	300
950063	APSEU 1008M	10	8	250
950064	APSEU 1010M	10	10	250

Codo — Power x Power
Power elbow union (single)



Código Code	Ref. Part No.	Power Power	Power Power	Ud/Caja Qty/Box
950065	APBEU 0808M	8	8	250
950066	APBEU 1008M	8	8	250
950067	APBEU 1010M	10	10	250

Unión doble — Starfit x Power
Power union connector (single)



Código Code	Ref. Part No.	Tubo mm Tube mm	Power mm Power mm	Ud/Caja Qty/Box
950769	APSUC 0808M	8	8	300
950770	APSUC 0810M	8	10	250
950771	APSUC 1006M	10	6	250
950772	APSUC 1008M	10	8	250
950773	APSUC 1010M	10	10	250

Unión doble — Power x Power
Power union connector (both)



Código Code	Ref. Part No.	Power mm Power mm	Power mm Power mm	Ud/Caja Qty/Box
950774	APBUC 0808M	8	8	250
950775	APBUC 1010M	10	10	250

Adaptador macho — Rosca BSW
Power male connector — BSW Thread



Código Code	Ref. Part No.	Power mm Power mm	Rosca Thread	Ud/Caja Qty/Box
950415	APMCW 08 9/16M	8	9/16-24	400
950416	APMCW 10 9/16M	10	9/16-24	350

Adaptador macho — Rosca MFL
Power male connector — MFL Thread



Código Code	Ref. Part No.	Power mm Power mm	Rosca Thread	Ud/Caja Qty/Box
950417	APMCF 0804M	8	1/4	40
950418	APMCF 0806M	8	3/8	350

Rosca UNF.

7/16-20 corresponde a 1/4 MFL.

5/8-18 corresponde a 3/8 MFL.

UNF Thread.

7/16-20 corresponds to a 1/4 MFL.

5/8-18 corresponds to a 3/8 MFL.